



REIGEL PLUMBING & HEATING

1701 South Galvin Ave.
Marshfield, WI 54449
715-387-3411
Fax 715-384-8192

August 9, 2021

Spencer ARC Park
Att: Becky Gorst / Jodi Sandley
RE: Concession Stand

We propose to furnish the necessary labor and materials needed to install the plumbing for new concession stand as per plans and discussion. Work includes:

- Draw / design and obtain state plans w/ fees
- Stub pressure sewer and water service 5' outside of building
- Install Liberty 380 grinder pump system
- Drain and vent piping to be PVC plastic. Includes In-Floor Grease Trap for 3 compartment sink
- Water piping to be PEX tubing
- Hot water system includes 50 gal. Electric heater. Mixing valves are to be installed under bathroom lav sink and hand wash sink to allow higher temp to 3 compartment and service sink

FIXTURES INCLUDE:

UNISEX RESTROOM

- Gerber VP-21-518 Ergo height ADA toilet
- Gerber 12-654 wall hung sink with Delta 2529LF-HDF faucet
- Floor drain

MECHANICAL

- Mustee 63M floor mop basin w/ union brass 141-QMW faucet
- Floor drain

CONCESSION

- Floor drain
- Hook up owner furnished 3 compartment sink and hand wash
- Water connection for coffee

Complete Labor / Material \$19,669.00

Thank you,

Mike Reigel
Reigel Plumbing & Heating, Inc.

OPTION: Furnish concession sinks

- Regency 6005318181x 3 compartment sink
- (Qty 3) 600 DT1 Lever drains
- Regency 600 FPRSFA12K Pre rinse faucet
- Regency 600 HS17 WBK Hand Sink

Add....\$1950.00

ProVore[®] 380

Simplex Grinder System

Liberty Pumps[®]

A Family and Employee Owned Company

1 hp

2" Discharge

Compact simplex system - designed for residential sewage applications

Perfect for basement bathroom additions and remodeling projects

Available in 115V or 230V

Fully assembled from factory

Features

- Robust system features a compact heavy-duty polyethylene basin and cover
- System can be installed above or below grade level
- 41 gallon capacity
- Patented V-Slice[®] Cutter Technology shreds difficult solids such as feminine products, rags, towels and wipes that can jam solids handling pumps
- Easy access cover with QuickTree[®] technology – allows for quick float switch removal and servicing
- Heavy-duty integrated rubber gaskets on covers
- Secure 16 bolt cover standard on all models
- Passes 10' stack test



Patent: See
www.LibertyPumps.com/patents

Shipped with Clear Construction Cover



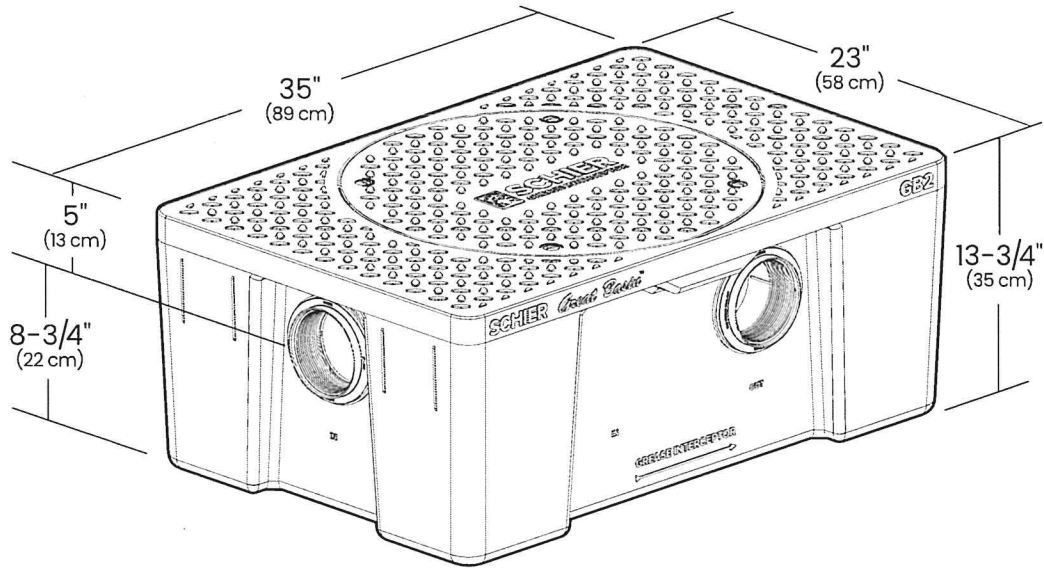
Clear disposable cover protects the system during masonry work and rough-in



innovate evolve

SPECIFICATION AND SUBMITTAL

GB2 35/50 GPM Grease Interceptor for Indoor Use



This unit is certified to ASME A112.14.3 (Type C) and CSA B481.1 at two different flow rates and includes the internal flow controls for both. External flow control with vent not required.

Satisfies Miami DERM 99% efficiency requirements when at least 2 units are installed in series

SUBMITTAL

Standard

Location: indoor

Installation: above/below grade

Flow Rates / Grease Capacities:

35 GPM (2.2 L/s) / 130.5 lbs. (59.2 kg)

50 GPM (3.2 L/s) / 127.6 lbs. (57.9 kg)

Solids Capacity: 1.8 gal. (6.8 L)

Liquid Capacity: 20 gal. (75.7 L)

Weight: 49 lbs. (22.2 kg)

Connections: 3" (75 mm) and 4" (100 mm) plain end

Cover: bolted gas/water tight polypropylene with 1,000 lb. load rating when unit is buried with FCRI riser

Options

- FO:** fixed outlet diffuser
- FCRI (x1):** > 2-1/8" - 12" field cut riser
- FCRI (x2):** > 12" - 24" field cut risers
- CC1:** membrane clamping collar kit (requires FCRI riser)
- PPI:** pumpout port kit
- SGK2:** support gusset kit
- PLAIN-EA-24:** 2" (50 mm) plain end fitting
- FPT-EA-34:** 4" x 3" (100 mm x 75 mm) FPT fitting
- FPT-EA-23:** 3" x 2" (75 mm x 50 mm) FPT fitting

Approval

Signature:	Date:	Company:
Specifying Engineer:	Engineering Firm:	



SCHIER
LIFETIME GUARANTEED
GREASE INTERCEPTORS

MODEL NUMBER:

GB2

DESCRIPTION: 35/50 GPM Polyethylene Grease Interceptor

PART #: 4065-001-05

DWG BY: B. Karrer

DATE: 4/10/2019

REV:

ECO:

12" Rough-in

Features:

VP-21-518

- Vitreous china
- Combination bowl and tank
- 3" flush valve with Fluidmaster® fill valve for quiet fill
- 12" rough-in
- Elongated bowl
- Dual-fed siphon jet action bowl (no splashing)
- 2" Fully Glazed trapway for effective waste removal
- Color matched metal tank lever
- 6 point tank to bowl connection for tank stability
- Sanitary bead for easy cleaning
- Color matched Bolt caps included
- Toilet seat not included

REIGEL
PLUMBING & HEATING INC.
1701 S. Galvin Ave, Marshfield, WI 54449
715-387-3411



Technical Information:

Included Components:

- Combination VP-21-518
- Bowl VP-21-528
- Tank VP-28-590

Other Tank Options: (bowl to be purchased separately)

- Insulated Tank VP-28-592
- Tank with Right Hand Lever VP-28-590-97
- Insulated Tank with Lid Locking Device VP-28-592-LL

Fixtures:

Configuration	two-piece, ADA elongated
Water per Flush	1.6 gpf (6 lpf)
Rough-In	12"
Height	30 3/4"
Width	16 3/8"
Depth	29 3/8"
Trapway	2"
Large Water Surface	10 1/8" x 6 3/8"
Shipping Weight	81 lbs

Accessories:

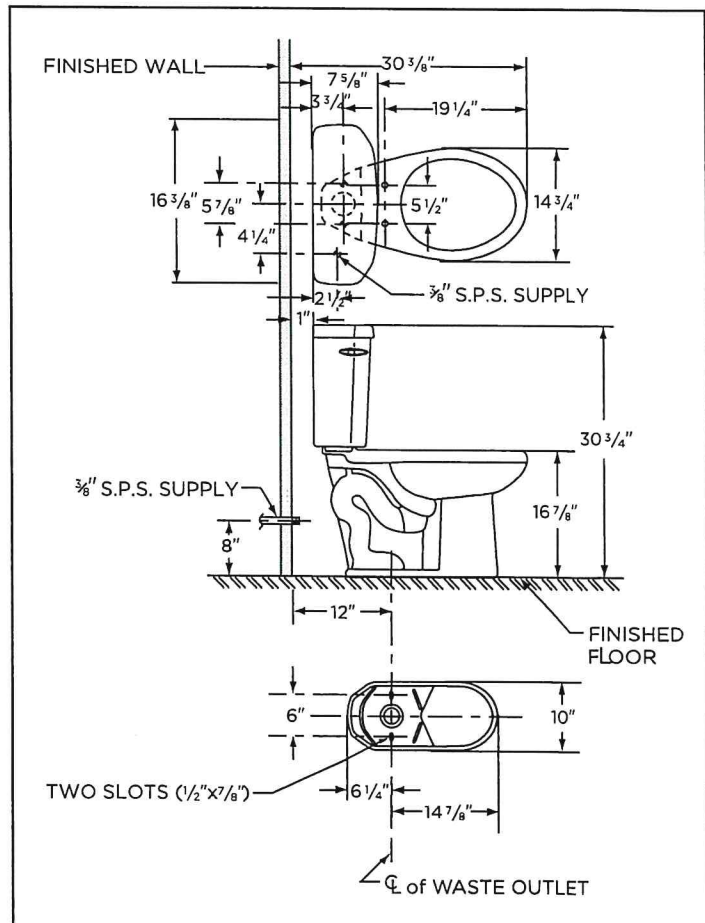
Soft Close Toilet Seat	99-213
------------------------	--------

Colors/Finishes:

- White
- Other: Refer to Price Book for additional colors/finishes

Warranty:

- 5 year, Limited lifetime warranty



NOTES: All dimensions are in inches. Illustrations may not be drawn to scale.

IMPORTANT:

Dimensions of fixtures are nominal and may vary within the range of tolerances established by ASME standard A 112.19.2 THIS FIXTURE QUALIFIES ACCORDING TO ASME TEST PROCEDURES AS A HIGH EFFICIENCY WATER CLOSET WITH AN AVERAGE CONSUMPTION OF 1.6 gpf (6.0 Lpf) OR LESS.



VITREOUS CHINA



LAVATORY

12-651/ 12-654 / 12-658

LAVATORIES



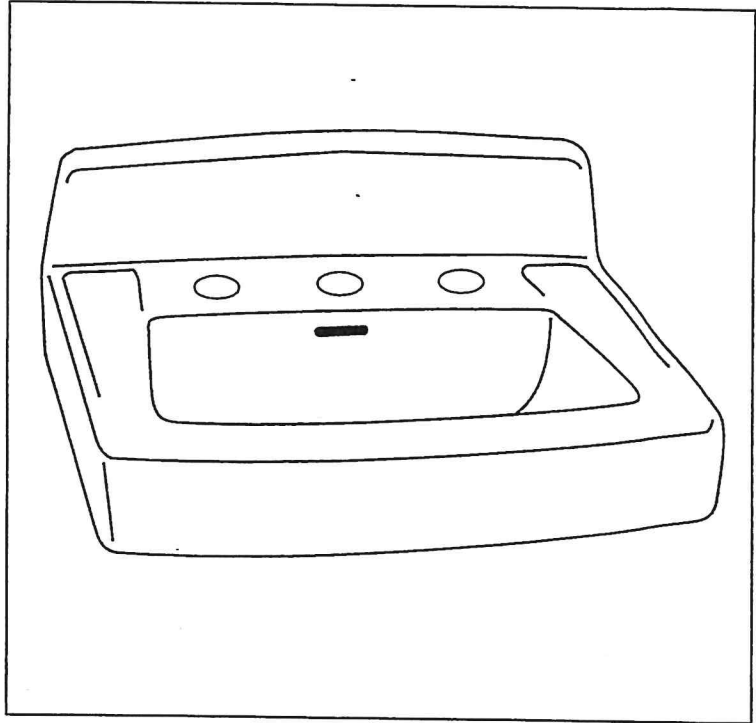
MONTICELLO II™ Back Splash

Features:

- 20" x 18" Back Splash Lavatory
- 1 Hole (12-651)
- 4" Centers (12-654)
- 8" Centers (12-658)
- 15" x 10" Bowl
- Two Integral Self-Draining Soap Dishes
- Back Overflow
- Fast Aligning One-Piece Wall Hanger
- Punched for use with Concealed Carrier
- ADA Compliant

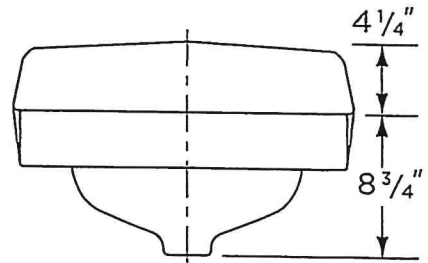
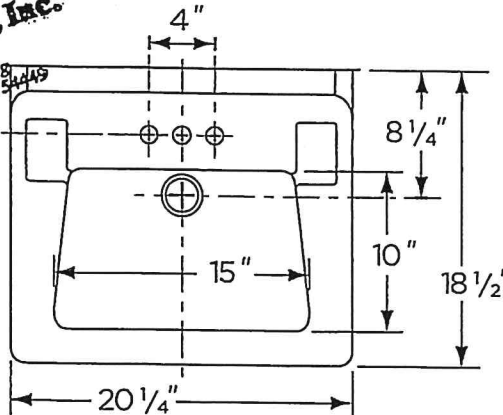
Dimensions:

- Height 13"
- Width 20 1/4"
- Depth 18 1/2"
- Back Splash Height 4 1/4"
- Shipping Weight 37 lbs



Catalog # 12-658 Shown

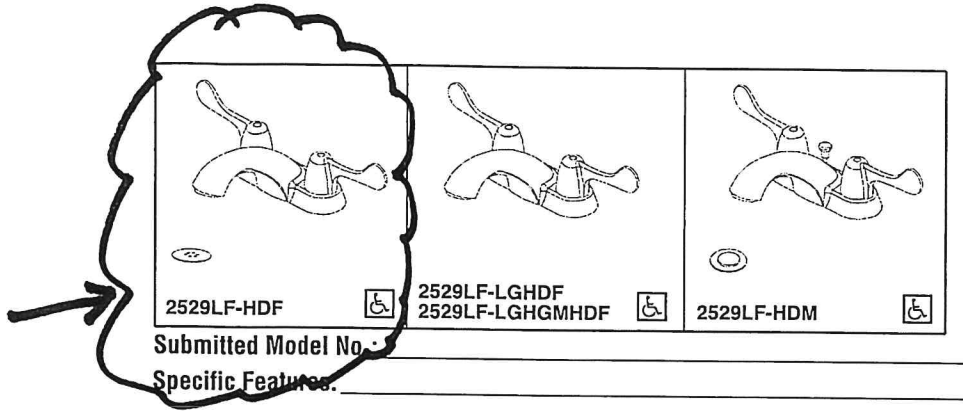
Reigel Plumbing & Heating, Inc.
 Contractors Designers Installers
 Plumbing Heating Air Conditioning
 1701 South Galvin Avenue • Marshfield, WI 54449
 (715) 387-3411



Job Name	
Date	
Model Specified	
Quantity	
Customer	
Contractor	
Architect/engineer	



www.gerberonline.com



LAVATORY FAUCETS

- Two Handle Deck Mount
- 2 and 3 Hole Sink Applications
- 4" (102 mm) Centerset

STANDARD SPECIFICATIONS:

- Solid brass fabricated body.
- 4" (102 mm) centerset.
- 5 1/4" (133 mm) long, 3 1/4" (83 mm) high rigid spout.
- Metal grid strainer (2529LF-HDF).
- Metal pop-up drain (2529LF-HDM).
- Hot and cold stems are interchangeable.
- 1/4 turn handle stops.
- Control mechanism is a rotating cylinder with stainless steel plate and 90° rotation, with replaceable non-metallic seats operating in stainless steel lined sockets.
- 1/2"-14 NPSM threaded male inlet shanks.
- Max. 1.50 gpm @ 60 psi, 5.7 L/min @ 414 kPa
- Models containing "M" in suffix have metal drain with pop-up type fitting with plated flange and stopper.
- 2529LF-LGHGMHDF equipped with vandal resistant .5 gpm spray outlet and wrench.

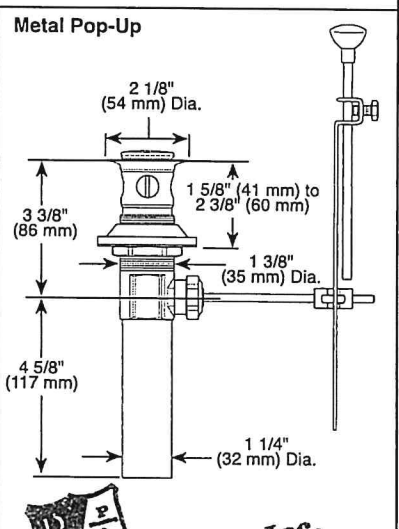
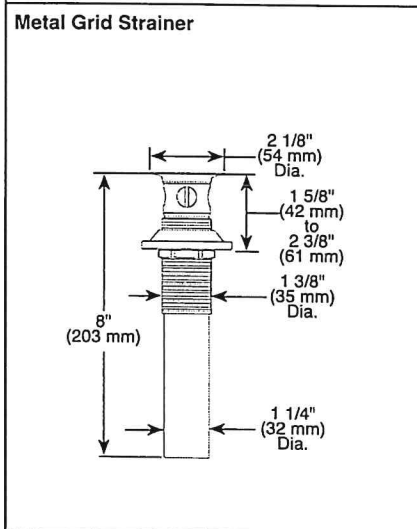
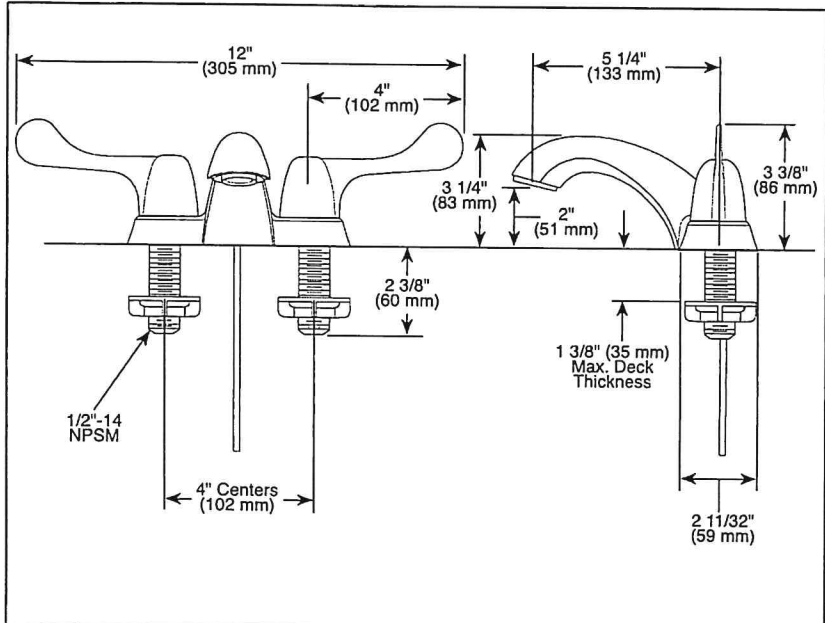
WARRANTY

- Lifetime limited warranty on parts (other than electronic parts and batteries) and finishes; or, for commercial users, for 5 years from date of purchase.
- 5 year limited warranty on electronic parts (other than batteries); or, for commercial users, for 1 year from the date of purchase. No warranty is provided on batteries.

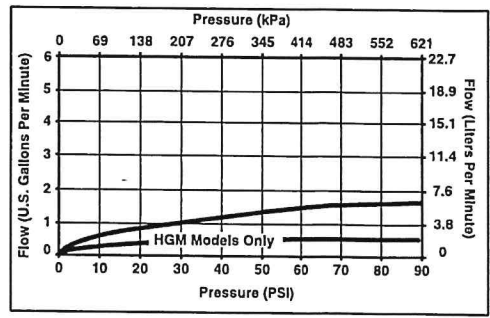


COMPLIES WITH:

- ASME A112.18.1 / CSA B125.1
- ASME A112.18.2 / CSA B125.2
- Indicates compliance to ICC/ANSI A117.1
- Verified compliant with .25% weighted average Pb content regulations.



Reigel Plumbing & Heating, Inc.
 Contractors Designers Installers
 Plumbing Heating Airconditioning
 1701 South Galvin Avenue • Marshfield, WI 54449
 (715) 387-3411

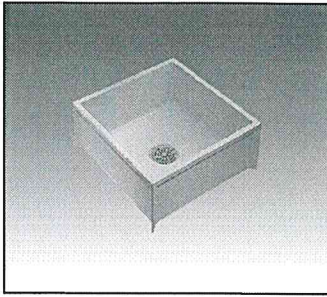


Delta reserves the right (1) to make changes in specifications and materials, and (2) to change or discontinue models, both without notice or obligation. Dimensions are for reference only. See current full-line price book or www.specselect.com for finish options and product availability.



55 E. 111th Street, Indianapolis, Indiana 46280
 350 South Edgeware Road, St. Thomas, ON N5P 4L1
 © 2015 Masco Corporation of Indiana

SEE PAGE 2 FOR A LIST OF ACCESSORIES!



Design features:

- All Mustee basins are one-piece molded from high impact resistant DURASTONE® structural fiberglass (24" x 24")
- Integral, molded-in drain for connection to 3" ABS, PVC (Sch. 80) or cast iron
- Available drain seals for connection to 2" pipe or 3" soil pipe
- Complete range of accessories to meet specific application needs
- Colorfast marbled white finish
- Easy to install

Code Accepted

Mustee Mop Service Basins meet or exceed performance requirements as listed:

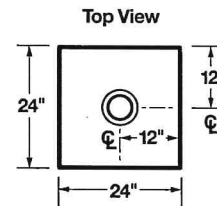
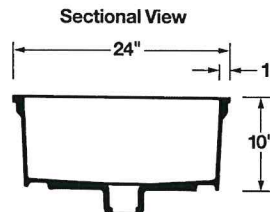
- International Association of Plumbing and Mechanical Officials (IAPMO)® Listed
- Warnock Hersey® (Canada) Listed—CSA test standards: Mop Basins - #B45.0
- American National Standards Institute (ANSI)-Specification Z 124-2011
- American Society of Testing and Materials (ASTM) D 635 E 84 and E 162
- CAN/ULC S102-07 Burn and Smoke Test



Specifications

Model Number	Model	H x W x D	UPC
63M	White	10" x 24" x 24"	6 71031 00189 4

General: Furnish and install as shown on plans, Mop Service Basin model 63M, as manufactured by E.L. Mustee & Sons, Inc. Unit to be one-piece molded fiberglass made with matched metal molds using extreme heat and pressure. Height shall be 10" with not less than 1" wide shoulder. Size 24" x 24". Drain shall be integrally molded, complete with drain seal for installation of 3" ABS, PVC (Sch. #80) and iron pipe. Removable stainless steel strainer. Performance tested to meet or exceed ANSI Z 124-2011 and FHA/HUD UM-73. Weight 45 lbs., cubic feet 4.2. Install in compliance with local codes.

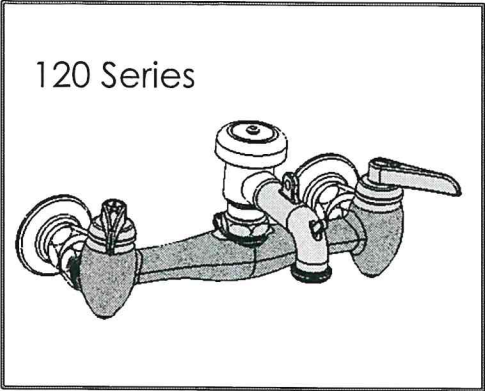


E.L. Mustee & Sons, Inc. • 5431 West 164th Street • Brook Park, OH 44142 • Phone: 216.267.3100 • Fax: 216.267.9997
E-mail: info@mustee.com • Web: www.mustee.com • Proudly made in the USA

Notice: Our continuous commitment to product improvement may result in changes to product specifications without notice. Patents pending. Made and Printed in U.S.A.

Reigel Plumbing & Heating, Inc.
Contractors • Designers • Installers
Plumbing • Heating • Airconditioning
1701 South Galvin Avenue • Marshfield, WI 54449
(715) 387-3411

120 Series

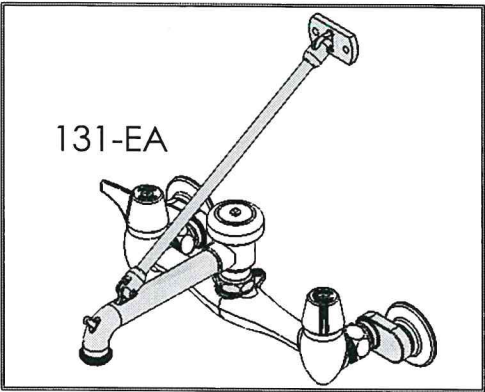


REIGEL
PLUMBING & HEATING INC.
1701 S. Galvin Ave, Marshfield, WI 54449
715-387-3411

**UNION
BRASS**
MANUFACTURING COMPANY

120 & 130 & 140 Series

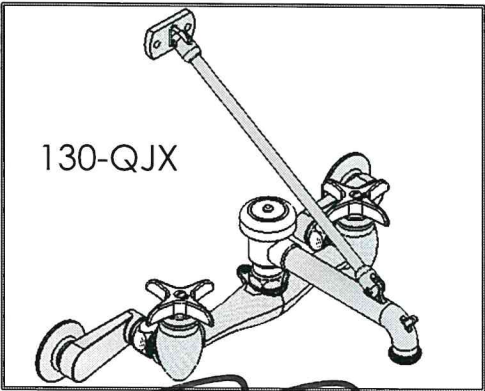
131-EA



- Features:** Cast Brass Body
 Chrome Plated Rough Or Polished Brass
 Compression Or Quarter Turn Valves
 Replaceable Seats

- 120 = 4" Spout Standard Vacuum Breaker Rough Chrome
- 121 = 4" Spout Standard Vacuum Breaker Polished Chrome
- 130 = 6.5" Spout Standard Vacuum Breaker Rough Chrome
- 131 = 6.5" Spout Standard Vacuum Breaker Polished Chrome
- 140 = 6.5" Spout Outlet Vacuum Breaker Rough Chrome
- 141 = 6.5" Spout Outlet Vacuum Breaker Polished Chrome

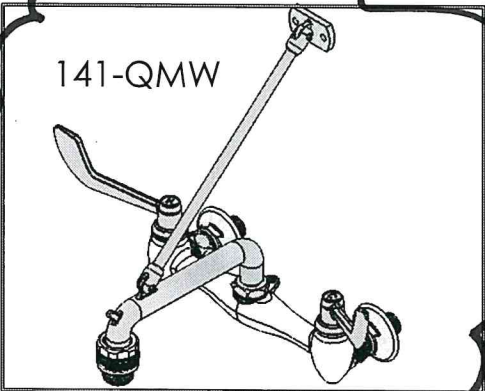
130-QJX



Add the Letters for the following features if you want them added to the finished assembly.

The(*) indicates that the part is the standard normal part for this assembly and requires no lettering

141-QMW



- (*) = Compression Valves
- (Q) = Quarter Turn Ceramic Disk Valves
- (*) = 3/16 Eccentric Female Flange (7&5/8 - 8&3/8" supply centers)
- (M) = 3/64 Eccentric Male Flange (7&29/32 - 8&3/32" supply centers)
- (E) = 1" Eccentric Female Flange (6 -10" supply centers)
- (J) = 2.5" Eccentric Female Flange (3-13" supply centers)
- (*) = Blade Handle
- (A) = Wall mount Style Handle
- (X) = Cross Handle
- (W) = Wrist Blade Handle

American Craftsmanship Since 1892

When Ordering Specify Complete Model Number

16 GAUGE STAINLESS STEEL THREE COMPARTMENT SINK WITH TWO DRAINBOARDS

ITEM #: _____ QUANTITY: _____
 PROJECT: _____
 APPROVAL: _____
 DATE: _____

REIGEL
 PLUMBING & HEATING INC.
 1701 S. Galvin Ave, Marshfield, WI 54449
 715-387-3411



FEATURES

- Made of high-quality 16 gauge, type 304 stainless steel
- Galvanized 1⁵/₈" steel legs with sockets
- Adjustable bullet feet for added stability
- Faucet holes pre-punched on 8" centers (faucet sold separately)
- 1¹/₂" IPS drain connection
- Rolled front and side edges to contain splashes and overflows

SPECIFICATIONS

ITEM	LENGTH	DEPTH	HEIGHT (Total)	HEIGHT (Work)	BOWL DEPTH	BOWL L to R	BOWL F to B	NUMBER OF DRAINBOARDS	SIDE	NET WEIGHT
600S3181818X	94"	23 ¹ / ₂ "	43 ³ / ₄ "	36 ¹ / ₂ "	14"	18"	18"	2	Both	126.88 LB.

REIGEL
 PLUMBING & HEATING INC.
 1701 S. Galvin Ave, Marshfield, WI 54449
 715-387-3411

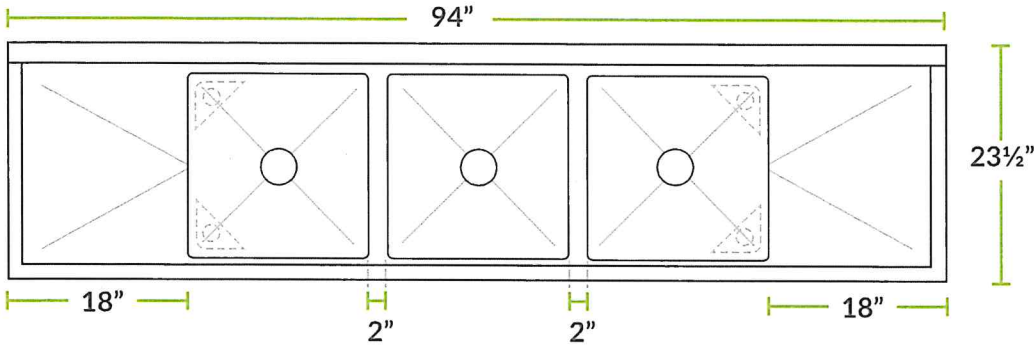


2/2020

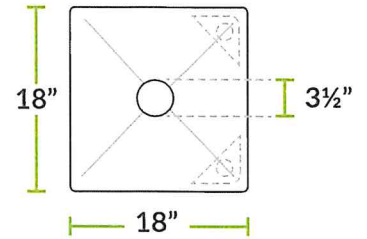
**16 GAUGE STAINLESS STEEL
THREE COMPARTMENT SINK
WITH TWO DRAINBOARDS**



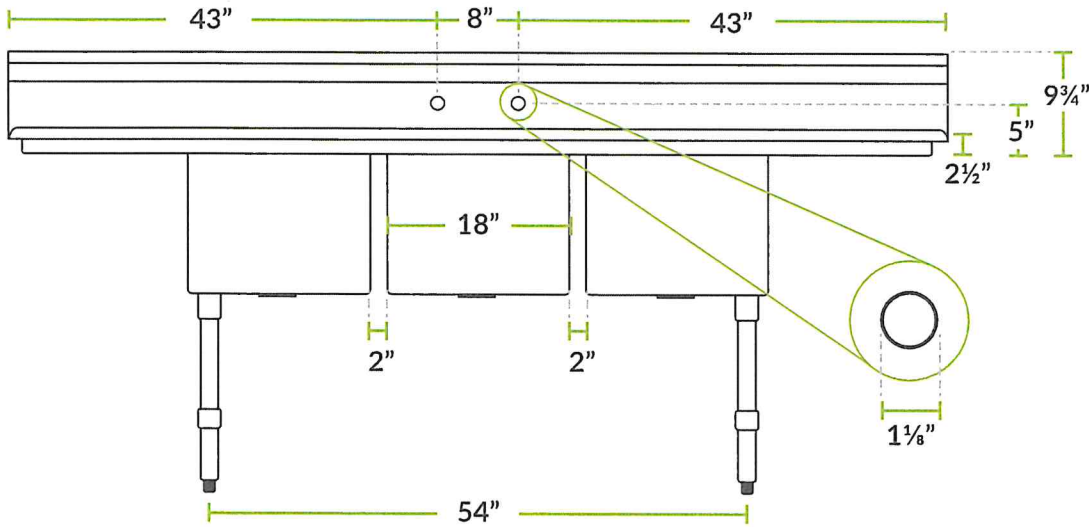
TOP



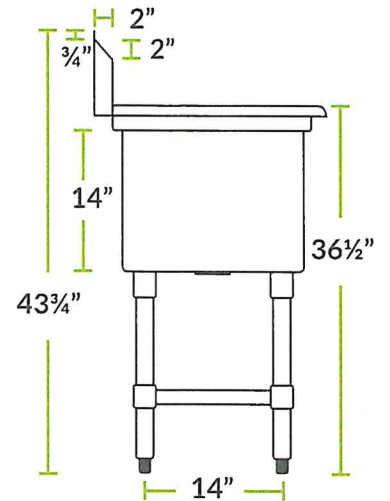
BOWL



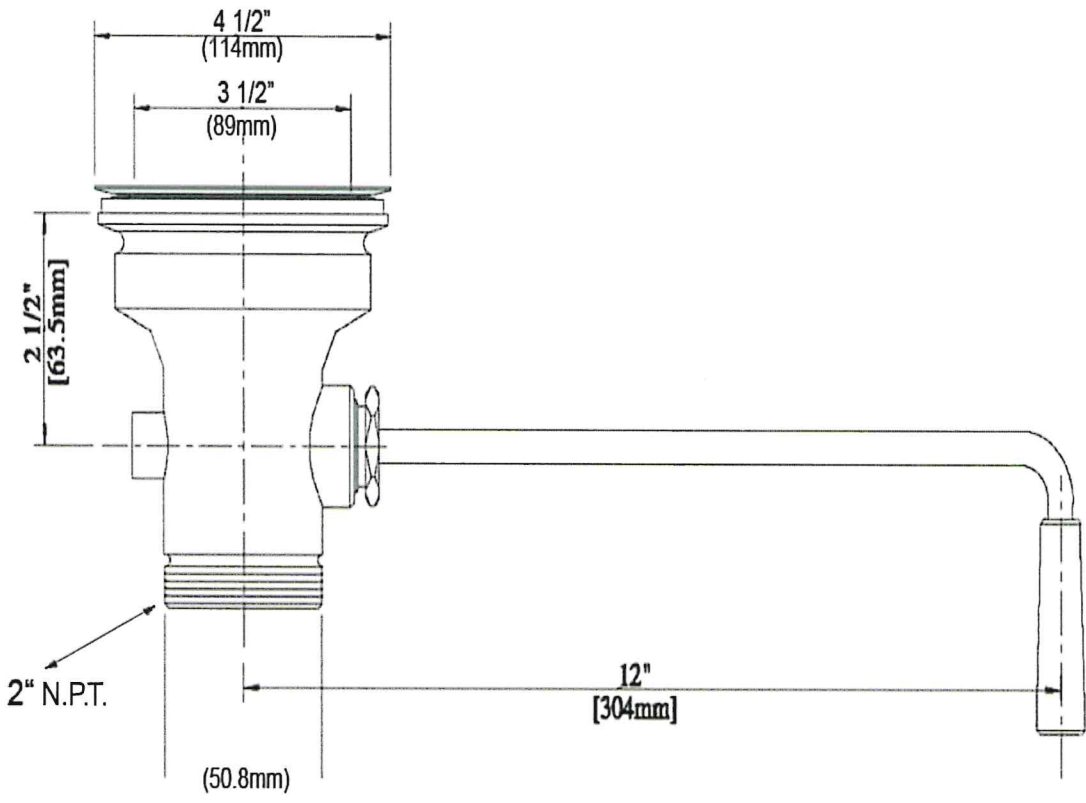
FRONT



SIDE



REIGEL
PLUMBING & HEATING INC.
1701 S. Galvin Ave, Marshfield, WI 54449
715-387-3411



600DT1

REIGEL
PLUMBING & HEATING INC.
1701 S. Galvin Ave, Marshfield, WI 54449
715-387-3411

WALL-MOUNTED
PRE-RINSE ASSEMBLY
 WITH CHROME PLATING AND ADD-ON FAUCET

ITEM #: _____ QUANTITY: _____
 PROJECT: _____
 APPROVAL: _____
 DATE: _____

REIGEL
 PLUMBING & HEATING INC.
 1701 S. Galvin Ave, Marshfield, WI 54449
 715-387-3411



FEATURES

- 1.15 GPM flow rate
- 12" add on faucet with 8" centers
- Chrome-plated construction intended for dishwashing and janitorial use only
- Flexible hose helps rinse across sink compartments
- Included hook secures the sprayer head; labeled hot and cold faucet handles



SPECIFICATIONS

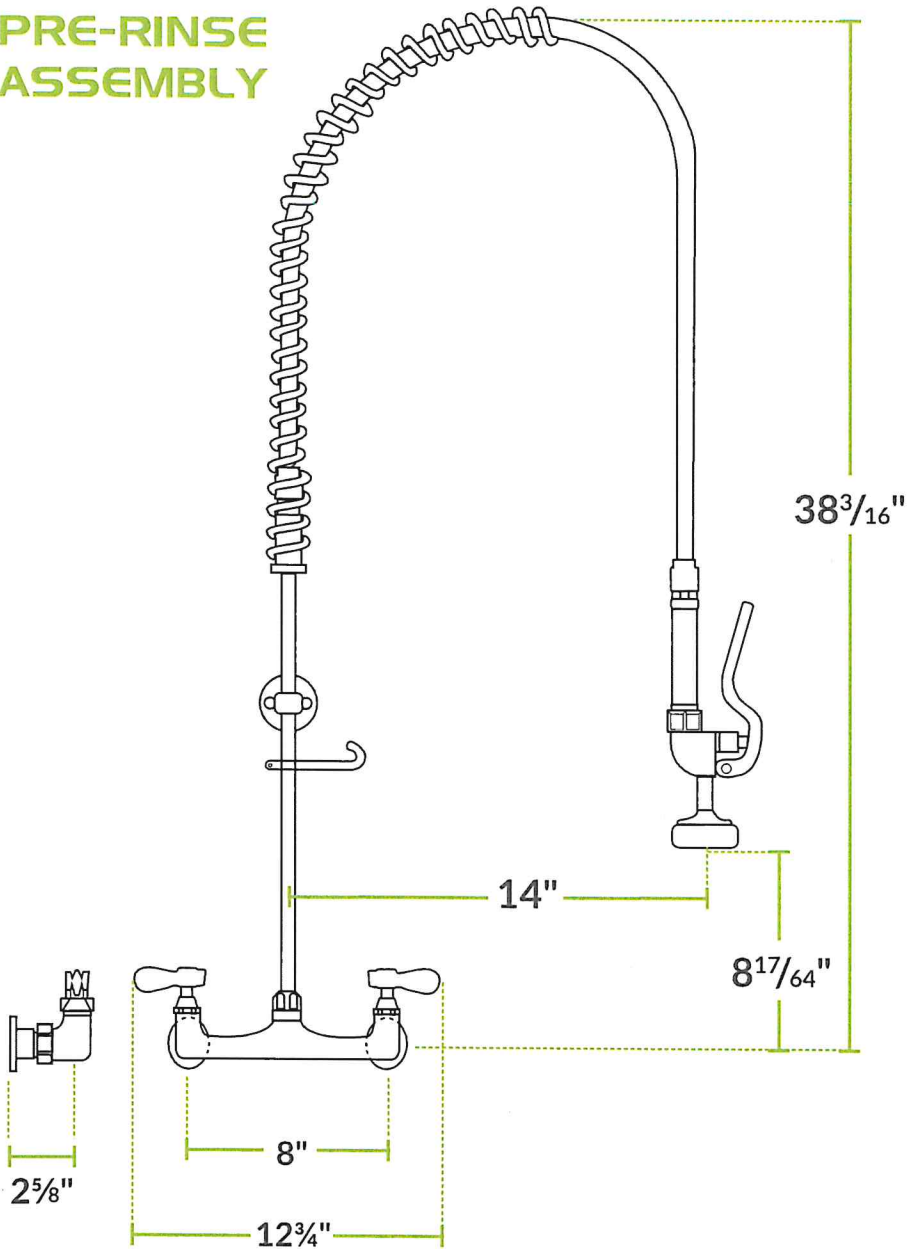
ITEM	HOSE LENGTH	FAUCET LENGTH	FAUCET CENTERS	FLOW RATE	HANDLE TYPE	INSTALLATION	PRE RINSE UNIT TYPE
600FPRSFA12K	44"	12"	8"	1.15 GPM	Lever	Support Bracket	Hose and Spring

REIGEL
 PLUMBING & HEATING INC.
 1701 S. Galvin Ave, Marshfield, WI 54449
 715-387-3411

WALL-MOUNTED
PRE-RINSE ASSEMBLY
WITH CHROME PLATING AND ADD-ON FAUCET

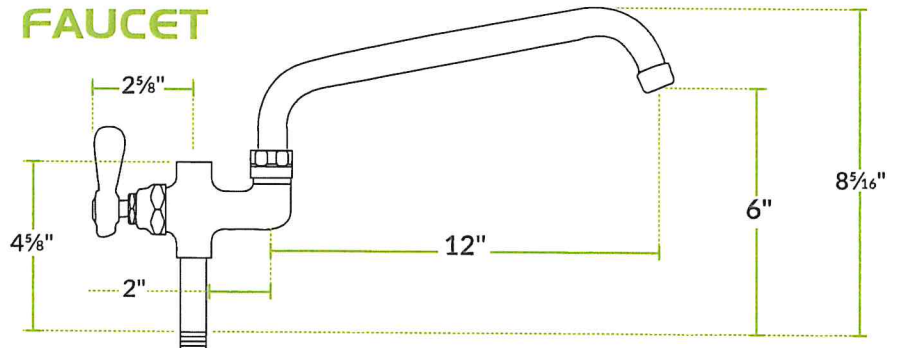


**PRE-RINSE
ASSEMBLY**



REIGEL
PLUMBING & HEATING INC.
1701 S. Galvin Ave, Marshfield, WI 54449
715-387-3411

FAUCET



**STAINLESS STEEL WALL MOUNTED
HAND SINK
WITH GOOSENECK FAUCET & WRIST BLADES**

ITEM #: _____ QUANTITY: _____
 PROJECT: **REIGEL**
 APPROVAL: **PLUMBING & HEATING INC.**
 1701 S. Galvin Ave, Marshfield, WI 54449
 715-387-3411
 DATE: _____



FEATURES

- 20-gauge type 304 stainless steel
- Single bowl with 1½" IPS drain basket
- Easy-to-install 8" gooseneck faucet included
- Holes punched on 4" centers
- 8" backsplash
- Wrist handles help prevent cross contamination



SPECIFICATIONS

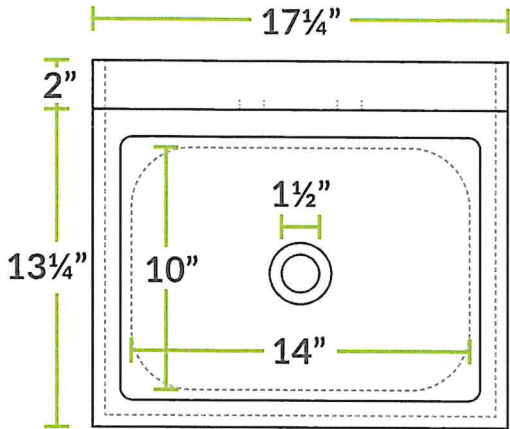
ITEM	OVERALL (LEFT TO RIGHT)	OVERALL (FRONT TO BACK)	OVERALL (HEIGHT)	BOWL (LEFT TO RIGHT)	BOWL (FRONT TO BACK)	BOWL DEPTH
600HS17WBK	15¼"	17¼"	13"	14"	10"	5½"

REIGEL
 PLUMBING & HEATING INC.
 1701 S. Galvin Ave, Marshfield, WI 54449
 715-387-3411

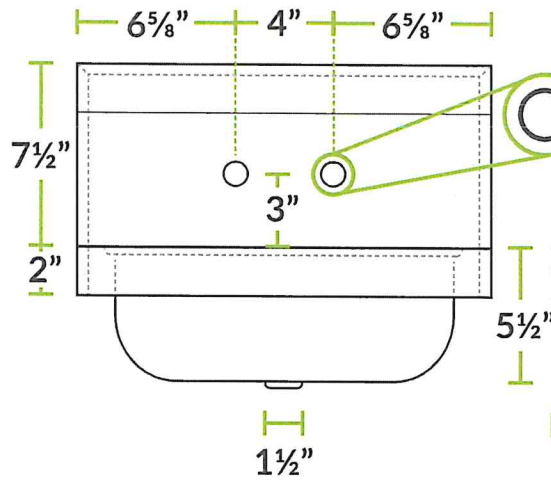
STAINLESS STEEL WALL MOUNTED
HAND SINK
WITH GOOSENECK FAUCET & WRIST BLADES



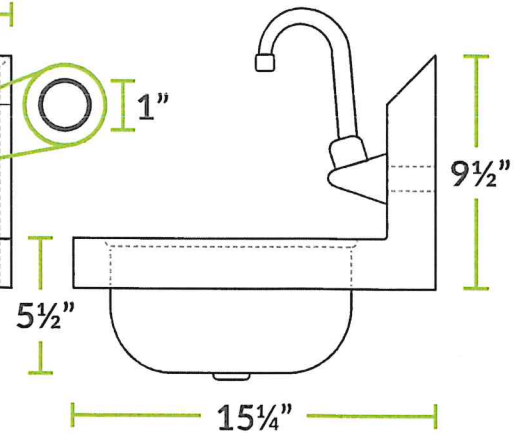
TOP



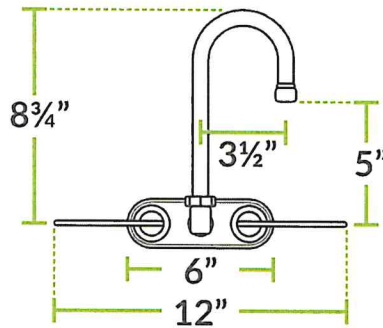
FRONT



SIDE



FAUCET



REIGEL
PLUMBING & HEATING INC.
1701 S. Galvin Ave, Marshfield, WI 54449
715-387-3411